

# AI Dynamic Face Recognition Access Control

- ✓ Dynamic face recognition
- ✓ Password
- ✓ ID/IC card optional

**KEYME**  
KEY AUTOMATION MIDDLE EAST



5000  
Card



Recognition  
Distance



5000  
Face



Recognition  
Speed



2MP Colorful  
WDR



Screen  
Display



Touch  
Screen



Multi  
Language



Access  
Control



Infrared live  
camera



Web Based  
Cloud Software



Face Recognition  
Accuracy

## Monthly/Weekly/Daily Attendance Report Generation



Online  
software

Offline  
USB Driver

\* PC Software, Web Cloud, Mobile App, and USB Driver to check or download attendance data conveniently

Attendance report  
download by  
USB flash driver

LED support LED and infrared light compensation at night

LCD display  
4.3 inch touchable  
LCD display

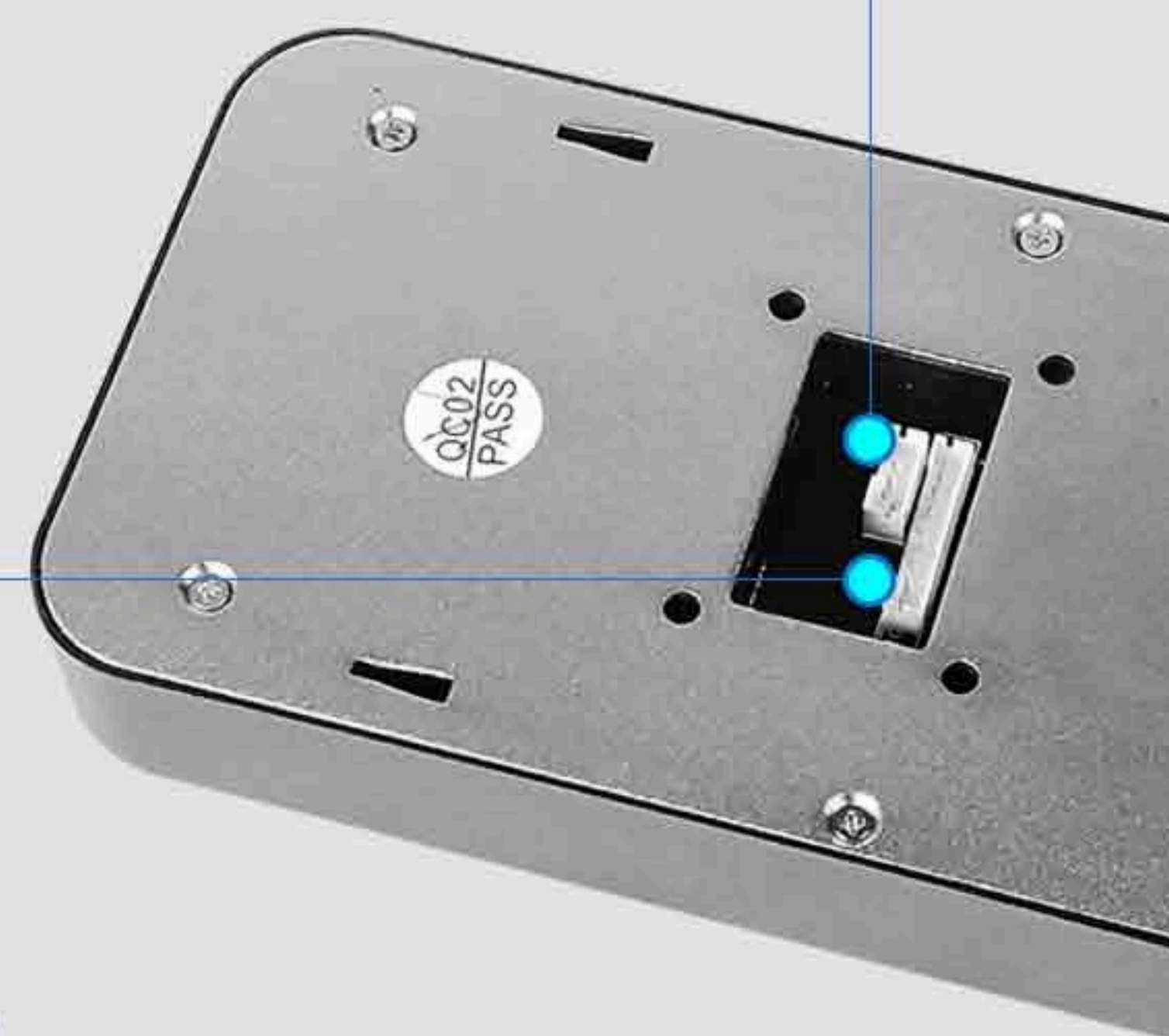


HD Infrared Camera infrared detection camera, make picture automatic exposure and extend identification range

Card reader

TCP/IP

VCC  
GND  
EXIT  
NO  
NC  
WG\_D0  
WG\_D1  
BEL-  
BEL+



26mm  
87.5mm



187.5mm



## Specifications

**KEYME**  
KEY AUTOMATION MIDDLE EAST

Screen	4.3 Inch Touch Screen
Keypad	Touch keypad
Operation system	LINUX 3.10
CPU	800M single-core ARM Cortex-A7
NPU	800G (0.8T) Hashrate
RAM, ROM	256M DDR3L, 4G EMMC
Camera	2MP color camera + 2MP infrared camera
Live detection	Dynamic dual-camera anti-counterfeiting, to prevent all kinds of black-and-white, color photos and videos from deception
Logs capacity	500000
Verification	Face recognition, password, ID Card(IC card optional)
Face capacity	5000
Card Capacity	5000
Password Capacity	5000
Face Recognition Accuracy	99.70%
Recognition Speed	≤0.2s
Recognition Distance	0.5~2.5 meters (0.5~1.5 meters with live face recognition on)
Principle of Identification	Face algorithm technology of multi-task cascaded convolutional neural network based on video stream for dynamic face detection, tracking and recognition
WDR	Wide dynamic range, support accurate face recognition under Strong light, dark light and backlight
USB	USB2.0x1, Support U disk import/export data
Power supply	DC12V 1A
Network Communication	TCP/IP, USB, Wifi
Free Attendance software	Local software and web based cloud software
Mask Detection	Support mask detection and face recognition with mask on
Access Control Interface	Lock output Doorbell output/external ring/alarm (1 of 3) Weigand input/output
Environmental adaptability	Working temperature: 0~45°C Working humidity: 20% ~90% Dark enviroment: LEDSoft light automatic fill light (Automatic control according to ambient light)
Muti language	Support 20 national languages and voices including English, Spanish, Arabic, Thai, Farsi, Portuguese, French, Italian, Japanese, Korean, etc

